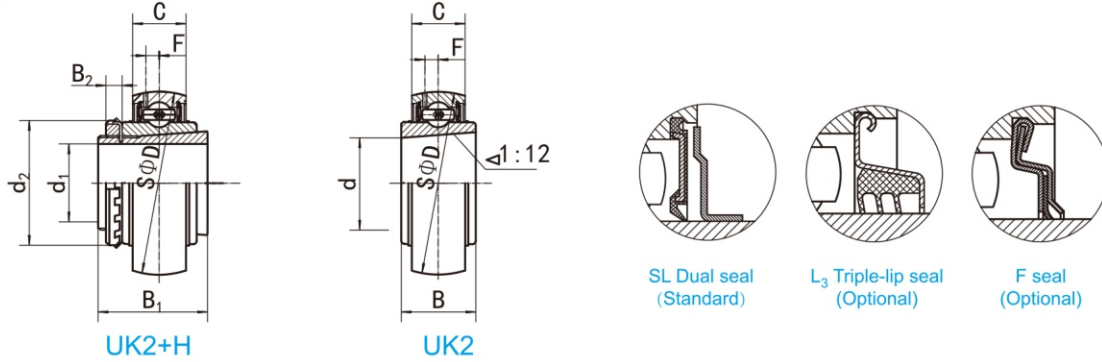


**Ball Bearings**  
 (with adapter mounted)



Bearing NO.	Dimensions ( mm / in. )									Dynamic load ratings (N)	Static load ratings (N)	Weight (kg)
	d <sub>1</sub>	d	D	B	C	B <sub>1</sub>	B <sub>2</sub>	d <sub>2</sub>	F			
UKX05;H2305 X05;HE2305	20 3/4	25 0.9845	62 2.4409	26 1.0236	19 0.7480	35 1.378	8 0.315	38 1.496	5.0 0.197	19500	11300	0.37
UKX06;H2306 X06;HS2306 X06;HE2306	25 7/8 1	30 1.1811	72 2.8346	29 1.1417	20 0.7874	38 1.496	8 0.315	45 1.771	5.7 0.224	25700	15300	0.59
UKX07;H2307 X07;HS2307	30 1-1/8	35 1.3780	80 3.1496	31 1.2205	21 0.8268	43 1.693	9 0.354	52 2.047	6.2 0.244	29500	18100	0.75
UKX08;H2308 X08;HE2308 X08;HS2308	35 1-1/4 1-3/8	40 1.5748	85 3.3465	31 1.2205	22 8.661	46 1.811	10 0.394	58 2.284	6.4 0.252	31600	20600	0.86
UKX09;H2309 X09;HA2309 X09;HE2309 X09;HS2309	40 1-7/16 1/2 1-5/8	45 1.7717	90 3.5433	32 1.2598	24 0.9449	50 1.969	11 0.433	65 2.559	6.5 0.256	35000	23200	0.96
UKX10;H2310 X10;HS2310 X10;HA2310 X10;HE2310	45 1-5/8 1-11/16 1-3/4	50 1.9685	100 3.9370	35 1.3780	25 0.6843	55 2.165	12 0.472	70 2.756	7.0 0.726	43500	29200	1.34
UKX11;H2311 X11;HS2311 X11;HA2311 X11;HE2311	50 1-7/8 1-15/16 2	55 2.1654	110 4.3307	38 1.496	27 1.0630	59 2.323	12 0.472	75 2.953	7.6 0.299	47700	32900	1.67
UKX12;H2312 X12;HS2312	55 2-1/8	60 2.3622	120 4.7244	40 1.5748	28 1.1024	62 2.441	13 0.512	80 3.150	8.5 0.335	57500	40000	1.84
UKX13;H2313 X13;HA2313 X13;HE2313 X13;HS2313	60 2-3/16 2-1/4 2-3/8	65 2.5591	125 4.9213	40 1.5748	29 1.1417	65 2.559	14 0.551	85 3.346	8.9 0.350	60800	45000	2.15
UKX15;H2315 X15;HA2315 X15;HS2315	65 2-7/16 2-1/2	75 2.9528	140 5.5118	45 1.7717	32 1.2598	73 2.874	15 0.591	98 3.858	9.5 0.374	71500	54200	3.05
UKX16;H2316 X16;HA2316 X16;HS2316	70 2-11/16 2-3/4	80 3.1496	150 5.9055	46 1.811	34 1.3386	78 3.071	17 0.669	105 4.134	10.2 0.402	83500	64000	3.95
UKX17;H2317 X17;HA2317 X17;HE2317	75 2-15/16 3	85 3.3465	160 6.2992	47 1.8504	36 1.4173	82 3.228	18 0.709	110 4.331	11.2 0.441	96000	71500	4.83
UKX18;H2318 X18;HA2318	80 3-3/16	90 3.5433	170 6.6929	50 1.9685	39 1.5354	86 3.386	18 0.709	120 4.724	12.5 0.492	109000	82000	5.45
UKX20;H23X0 X20;HA23X0	90 3-17/32	100 3.9370	190 7.4803	54 2.126	43 1.6929	97 3.8189	20 0.7874	130 5.1181	13.7 0.539	133000	105000	7.51