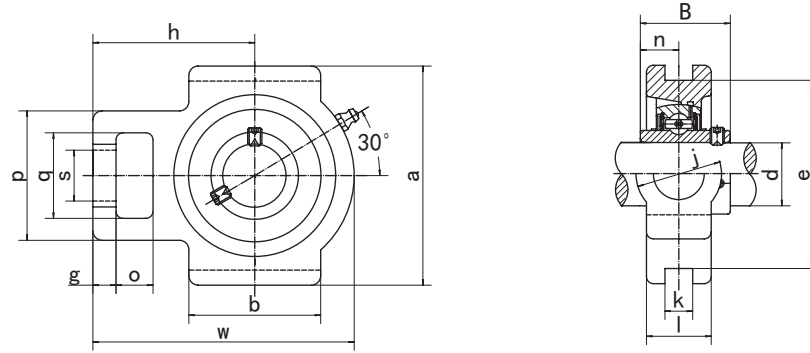


Take-up Units

UCT3 (Heavy-duty)



| Unit NO. | Dimensions (mm / in.) | | | | | | | | | | | | | | | | Bearing No. | Housing No. | Weight (kg) |
|---|--|---------------|---------------|----------------|----------------|---------------|----------------|-------------|-----------------|-----------------|-----------------|----------------|----------------|-----------------|---------------|--------------|---|-------------|-------------|
| | d | o | g | p | q | s | b | k | e | a | w | j | l | h | B | n | | | |
| UCT305 305-13 305-14 305-15 305-16 | 25 13/16 7/8 15/16 1 | 16 5/8 | 14 9/16 | 62 2-7/16 | 36 1-13/32 | 26 1-1/32 | 65 2-9/16 | 12 0.472 | 80 3-5/32 | 89 3-1/2 | 122 4-13/16 | 36 1-13/32 | 26 1-1/32 | 76 3 | 38 1.4961 | 15 0.591 | UC305 UC305-13 UC305-14 UC305-15 UC305-16 | T305 | 1.20 |
| UCT306 306-17 306-18 306-19 | 30 1-1/16 1-1/8 1-3/16 | 18 23/32 | 16 5/8 | 70 2-3/4 | 41 1-5/8 | 28 1-3/32 | 74 2-29/32 | 16 0.630 | 90 3-35/64 | 100 3-15/16 | 137 5-13/32 | 41 1-5/8 | 28 1-3/32 | 85 3-11/32 | 43 1.6929 | 17 0.669 | UC306 UC306-17 UC306-18 UC306-19 | T306 | 1.70 |
| UCT307 307-20 307-21 307-22 307-23 | 35 1-1/4 1-5/16 1-3/8 1-7/16 | 20 12/32 | 17 43/64 | 75 2-15/16 | 45 1-25/32 | 30 1-3/16 | 80 3-5/32 | 16 0.630 | 100 3-15/16 | 111 4-3/8 | 150 5-29/32 | 45 1-25/32 | 32 1-1/4 | 94 3-11/16 | 48 1.8898 | 19 0.748 | UC307 UC307-20 UC307-21 UC307-22 UC307-23 | T307 | 2.30 |
| UCT308 308-24 308-25 | 40 1-1/2 1-9/16 | 22 7/8 | 19 3/4 | 83 3-17/64 | 50 1-31/32 | 32 1-1/4 | 89 3-1/2 | 18 0.709 | 112 4-13/32 | 124 4-7/8 | 162 6-3/8 | 50 1-31/32 | 34 1-11/32 | 100 3-15/16 | 52 2.0472 | 19 0.7480 | UC308 UC308-24 UC308-25 | T308 | 2.90 |
| UCT309 309-26 309-27 309-28 | 45 1-5/8 1-11/16 1-3/4 | 24 15/16 | 20 25/32 | 90 3-17/32 | 55 2-5/32 | 34 1-11/32 | 97 3-13/16 | 18 0.709 | 125 4-59/64 | 138 5-7/16 | 178 7 | 55 2-5/32 | 38 1-1/2 | 110 4-11/32 | 57 2.2441 | 22 0.8660 | UC309 UC309-26 UC309-27 UC309-28 | T309 | 4.00 |
| UCT310 310-29 310-30 310-31 | 50 1-13/16 1-7/8 1-15/16 | 27 1-1/16 | 22 7/8 | 98 3-27/32 | 61 2-13/32 | 37 1-15/32 | 106 4-3/16 | 20 0.787 | 140 5-33/64 | 151 5-15/16 | 192 7-9/16 | 61 2-13/32 | 40 1-9/16 | 118 4-21/32 | 61 2.4016 | 22 0.8660 | UC310 UC310-29 UC310-30 UC310-31 | T310 | 5.00 |
| UCT311 311-32 311-33 311-34 311-35 | 55 2 2-1/16 2-1/8 2-3/16 | 29 1-5/32 | 23 29/32 | 105 4-1/8 | 66 2-19/32 | 39 1-17/32 | 115 4-17/32 | 22 0.866 | 150 5-29/32 | 163 6-13/32 | 207 8-5/32 | 66 2-19/32 | 44 1-23/32 | 127 5 | 66 2.5984 | 25 0.9840 | UC311 UC311-32 UC311-33 UC311-34 UC311-35 | T311 | 6.20 |
| UCT312 312-36 312-37 312-38 312-39 | 60 2-1/4 2-5/16 2-3/8 2-7/16 | 31 1-7/32 | 25 31/32 | 113 4-7/16 | 71 2-25/32 | 41 1-5/8 | 123 4-27/32 | 22 0.866 | 160 6-19/64 | 178 7 | 220 8-21/32 | 71 2-25/32 | 46 1-13/16 | 135 5-5/16 | 71 2.7953 | 26 1.0240 | UC312 UC312-36 UC312-37 UC312-38 UC312-39 | T312 | 7.50 |
| UCT313 313-40 313-41 | 65 2-1/2 2-9/16 | 32 1-17/64 | 27 1-1/16 | 116 4-9/16 | 70 2-3/4 | 43 1-11/16 | 134 5-9/32 | 26 1.024 | 170 6-11/16 | 190 7-15/32 | 238 9-3/8 | 80 3-5/32 | 50 1-31/32 | 146 5-3/4 | 75 2.9528 | 30 1.1810 | UC313 UC313-40 UC313-41 | T313 | 9.30 |
| UCT314 314-42 314-43 314-44 | 70 2-5/8 2-11/16 2-3/4 | 36 1-13/32 | 27 1-1/16 | 130 5-1/8 | 85 3-11/32 | 46 1-13/16 | 140 5-1/2 | 26 1.024 | 180 7-3/32 | 202 7-15/16 | 252 9-29/32 | 90 3-17/32 | 52 2-1/16 | 155 6-3/32 | 78 3.0708 | 33 1.2990 | UC314 UC314-42 UC314-43 UC314-44 | T314 | 10.90 |
| UCT315 315-45 315-46 315-47 315-48 | 75 2-13/16 2-7/8 2-15/16 3 | 36 1-13/32 | 27 1-1/16 | 132 5-3/16 | 85 3-11/32 | 46 1-13/16 | 150 5-29/32 | 26 1.024 | 192 7-9/16 | 216 8-1/2 | 262 10-5/16 | 90 3-17/32 | 55 2-5/32 | 160 6-5/16 | 82 3.2283 | 32 1.2600 | UC315 UC315-45 UC315-46 UC315-47 UC315-48 | T315 | 12.70 |
| UCT316 316-49 316-50 316-51 | 80 3-1/16 3-1/8 3-3/16 | 42 1-21/32 | 30 1-3/16 | 150 5-29/32 | 98 3-27/32 | 53 2-3/32 | 160 6-5/16 | 30 1.181 | 204 8-1/32 | 230 9-1/16 | 282 11-3/32 | 102 4-1/32 | 60 2-3/8 | 174 6-27/32 | 86 3.3858 | 34 1.2600 | UC316 UC316-49 UC316-50 UC316-51 | T316 | 15.80 |
| UCT317 317-52 317-53 317-55 | 85 3-1/4 3-5/16 3-7/16 | 42 1-21/32 | 32 1-1/4 | 152 5-31/32 | 98 3-27/32 | 53 2-3/32 | 170 6-11/16 | 32 1.260 | 214 8-27/64 | 240 9-7/16 | 298 11-23/32 | 102 4-1/32 | 64 2-17/32 | 183 7-7/32 | 96 3.7795 | 40 1.5750 | UC317 UC317-52 UC317-53 UC317-55 | T317 | 18.60 |
| UCT318 318-55 318-56 | 90 3-7/16 3-1/2 | 46 1-13/16 | 32 1-1/4 | 160 6-5/16 | 106 4-3/16 | 57 2-1/4 | 175 6-7/8 | 32 1.260 | 228 8-31/32 | 255 10-1/32 | 312 12-9/32 | 110 4-11/32 | 66 2-19/32 | 192 7-9/16 | 96 3.7795 | 40 1.5750 | UC318 UC318-55 UC318-56 | T318 | 21.00 |
| UCT319 319-58 319-59 317-60 | 95 3-5/8 3-11/16 3-3/4 | 46 1-13/16 | 33 1-5/16 | 165 6-1/2 | 106 4-3/16 | 57 2-1/4 | 180 7-3/32 | 35 1.378 | 240 9-29/64 | 270 10-5/8 | 322 12-11/16 | 110 4-11/32 | 72 2-27/32 | 197 7-3/4 | 103 4.0551 | 41 1.6140 | UC319 UC319-58 UC319-59 UC317-60 | T319 | 24.60 |
| UCT320 320-64 | 100 1-7/8 | 48 1-1/4 | 32 6-7/8 | 175 4-17/32 | 115 2-21/64 | 59 7-7/8 | 200 7-7/8 | 35 1.378 | 260 10-15/64 | 290 11-13/32 | 345 13-19/32 | 120 4-23/32 | 75 2-15/16 | 210 8-9/32 | 108 4.2519 | 42 1.6535 | UC320 UC320-64 | T320 | 29.90 |
| UCT322 | 110 2-1/16 | 52 1-1/2 | 38 7-9/32 | 185 4-29/32 | 125 2-9/16 | 65 8-15/32 | 215 1.496 | 38 1.496 | 285 11-7/32 | 320 12-19/32 | 385 15-5/32 | 130 5-1/8 | 80 3-5/32 | 235 9-1/4 | 117 4.6063 | 46 1.8110 | UC322 | T322 | 39.40 |
| UCT324 | 120 2-3/8 | 60 1-21/32 | 42 8-9/32 | 210 5-1/2 | 140 2-3/4 | 70 9-1/16 | 230 1.772 | 45 1.772 | 320 12-19/32 | 355 13-31/32 | 432 17 | 140 5-1/2 | 90 3-17/32 | 267 10-1/2 | 126 4.9606 | 51 2.0079 | UC324 | T324 | 54.20 |
| UCT326 | 130 2-9/16 | 65 1-25/32 | 45 8-21/32 | 220 5-29/32 | 150 2-31/32 | 75 9-7/16 | 240 1.969 | 50 1.969 | 350 13-25/32 | 385 15-5/32 | 465 18-5/16 | 150 5-29/32 | 100 3-15/16 | 285 11-7/32 | 135 5.3150 | 54 2.1260 | UC326 | T326 | 68.40 |
| UCT328 | 140 2-3/4 | 70 1-31/32 | 50 9-1/16 | 230 6-5/16 | 160 3-5/32 | 80 10-1/32 | 255 1.969 | 50 1.969 | 380 14-61/64 | 415 16-11/32 | 515 20-9/32 | 155 6-3/32 | 100 3-15/16 | 315 12-13/32 | 145 5.7086 | 59 2.3228 | UC328 | T328 | 82.90 |